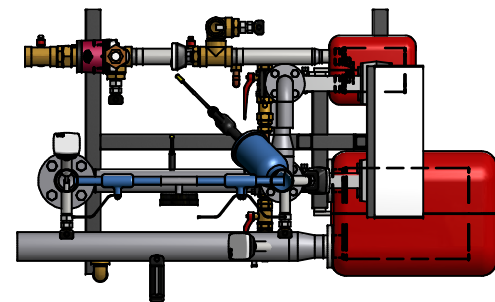
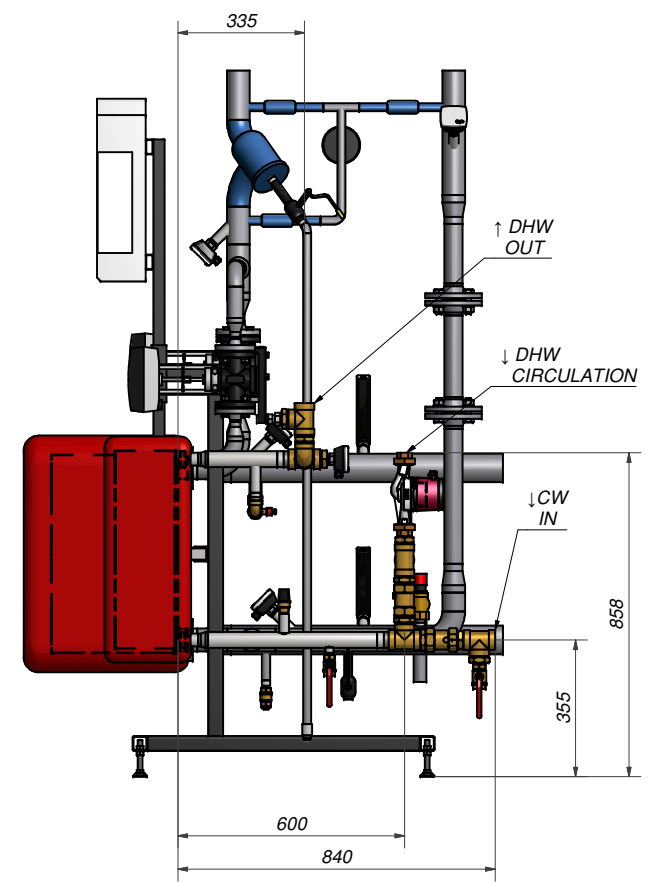
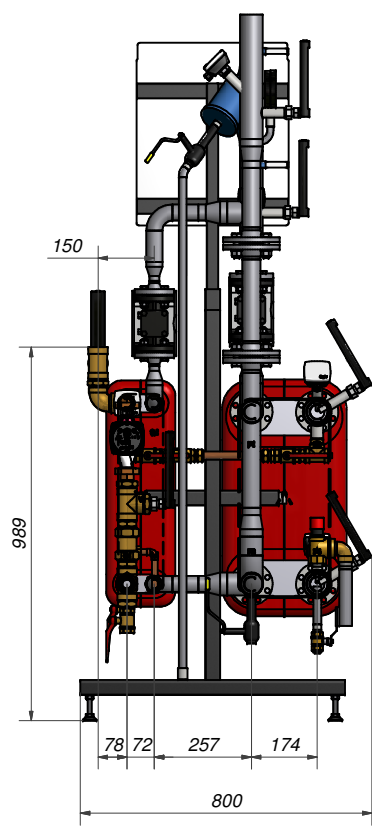
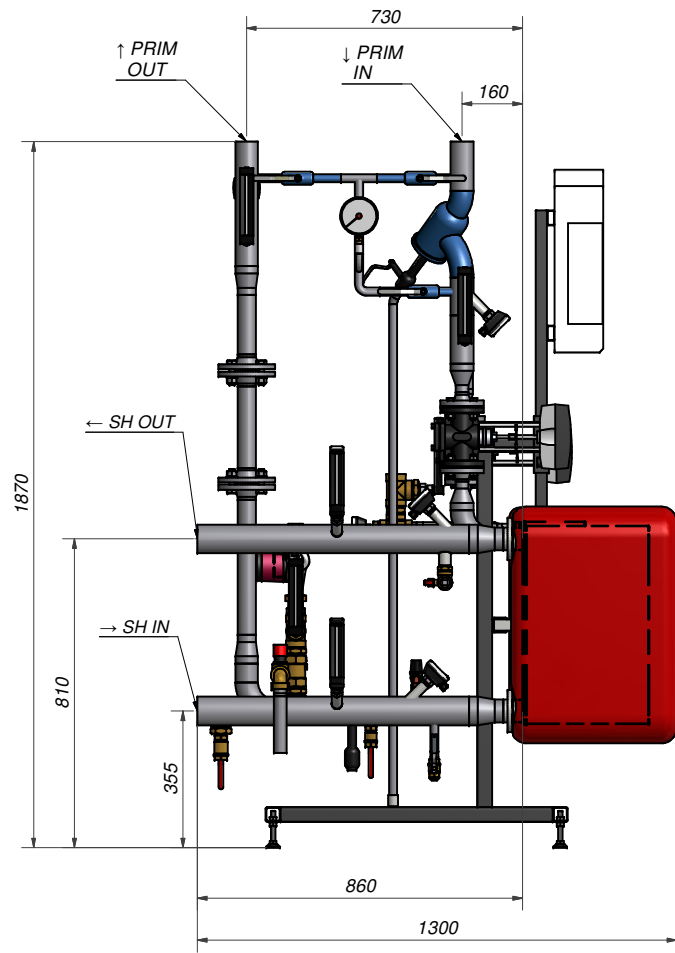


Rev No	Alteration	Date	Checked	Approved
00				PDM



© Company Confidential, Property of SWEP International AB

Drawn	Checked	Approved	Created Date	General geometrical tolerancing ISO 2768	General surface finish R _a	Scale	Paper size
sksm	PDM	PDM	27. 5. 2016			1:1	A2
Title				Eidsiva DN50/32/65			
Article number		Design type		Drawing number		Revision	
				KA002155		00	
							Sheet
							1 (1)

